



US00D670278S

(12) **United States Design Patent**  
**Hamann**

(10) **Patent No.:** **US D670,278 S**

(45) **Date of Patent:** **\*\* Nov. 6, 2012**

(54) **CELL PHONE ENCLOSURE**

(75) Inventor: **John Hamann**, Gulf Stream, FL (US)

(73) Assignee: **Velocomp, LLC.**, Boca Raton, FL (US)

(\*\*) Term: **14 Years**

(21) Appl. No.: **29/358,673**

(22) Filed: **Mar. 30, 2010**

(51) **LOC (9) Cl.** ..... **14-03**

(52) **U.S. Cl.** ..... **D14/250**

(58) **Field of Classification Search** ..... D14/250,  
D14/252, 253, 248, 249, 440, 203.7, 217,  
D14/203.3, 203.4; D3/201, 218, 269; 220/4.02;  
224/191, 241, 245; 379/426, 433.01; 455/575.1,  
455/575.8

See application file for complete search history.

(56) **References Cited**

**U.S. PATENT DOCUMENTS**

D448,368 S \* 9/2001 Bettag et al. .... D14/250  
D568,849 S \* 5/2008 Nuovo ..... D14/138 AA  
7,440,784 B2 \* 10/2008 Chung et al. .... 455/575.3  
D588,088 S \* 3/2009 Mitchell ..... D14/138 AB

D591,258 S \* 4/2009 Wilson ..... D14/138 AB  
D606,508 S \* 12/2009 Wun et al. .... D14/138 AB  
D638,004 S \* 5/2011 Salazar et al. .... D14/248  
D641,013 S \* 7/2011 Richardson et al. .... D14/250

\* cited by examiner

*Primary Examiner* — Sheryl Lane

(74) *Attorney, Agent, or Firm* — Michael W. Caldwell

(57) **CLAIM**

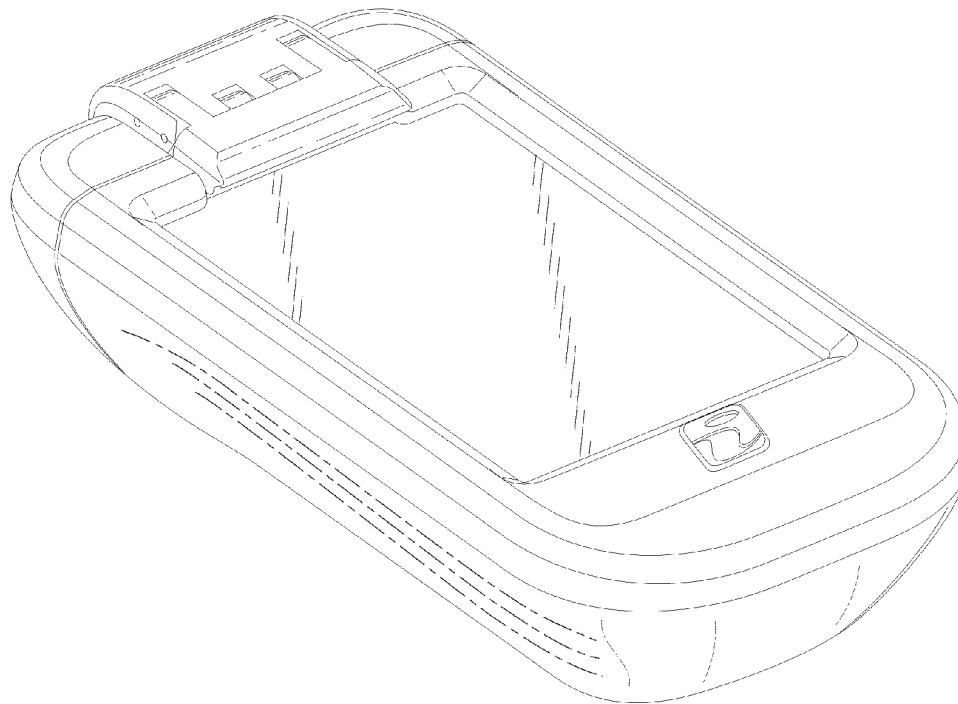
The ornamental design for a cell phone enclosure, as shown and described.

**DESCRIPTION**

FIG. 1 is a frontal perspective view of a cell phone enclosure showing my new design;  
FIG. 2 is a top plan view thereof;  
FIG. 3 is a bottom plan view thereof;  
FIG. 4 is a front view thereof;  
FIG. 5 is a rear view thereof;  
FIG. 6 is a left side view thereof; and,  
FIG. 7 is a right side view thereof.

It will be understood that the dashed lines presented in the drawings are for illustration only, and do not for a part of the claimed design.

**1 Claim, 4 Drawing Sheets**



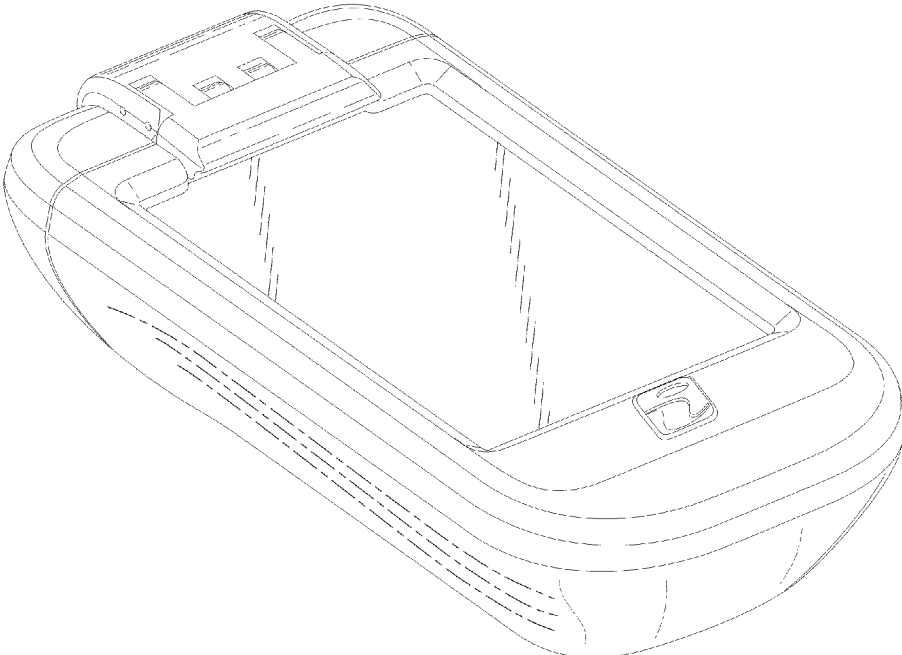
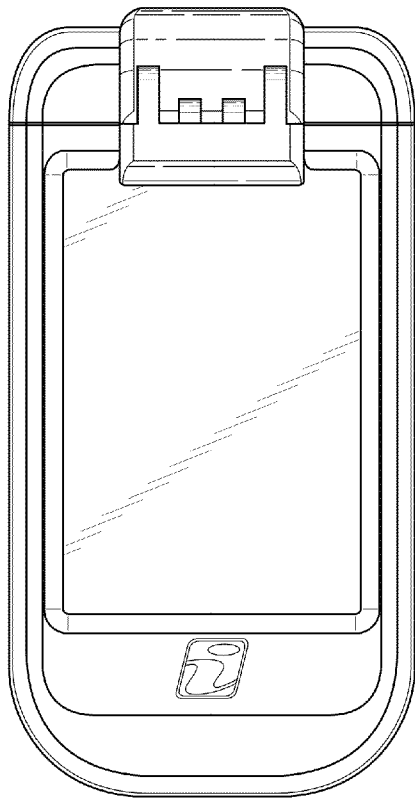
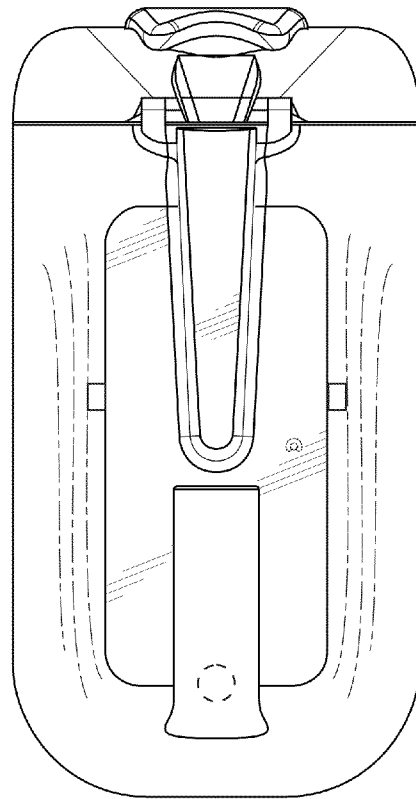


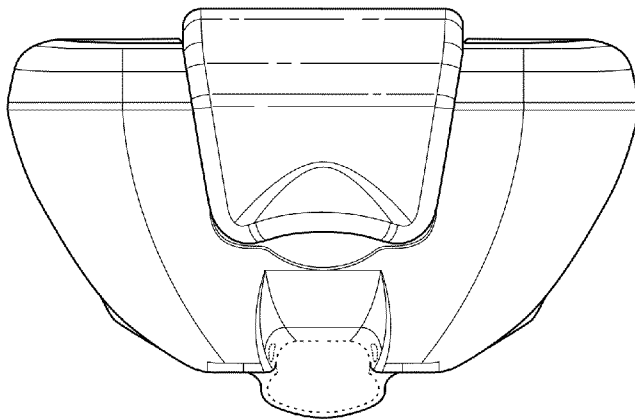
FIG. 1



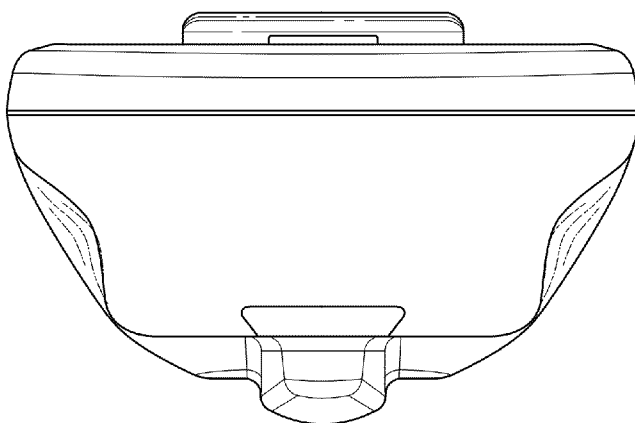
**Fig. 2**



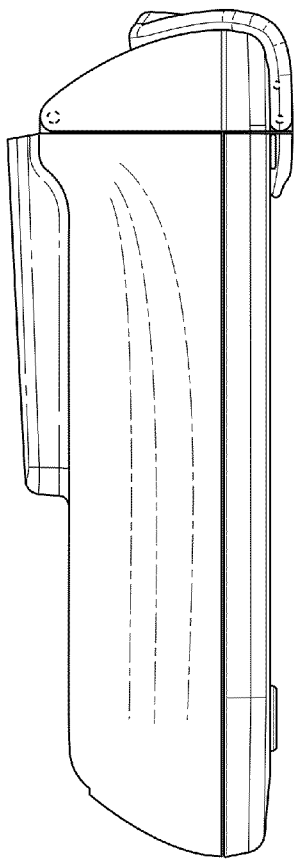
**Fig. 3**



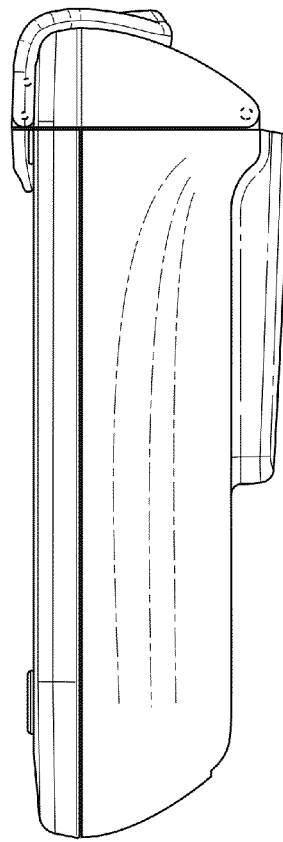
**Fig. 4**



**Fig. 5**



**Fig. 6**



**Fig. 7**