



US00D601479S

(12) **United States Design Patent**
Shaw

(10) **Patent No.:** **US D601,479 S**

(45) **Date of Patent:** **** Oct. 6, 2009**

(54) **LARGE WHEEL CHOCK**

(76) Inventor: **Anne Shaw**, Box 68, San Gabriel, CA
(US) 91778-0068

(**) Term: **14 Years**

(21) Appl. No.: **29/318,274**

(22) Filed: **May 16, 2008**

(51) **LOC (9) Cl.** **12-06**

(52) **U.S. Cl.** **D12/217**

(58) **Field of Classification Search** D12/114,
D12/120, 180, 203, 217; 188/32, 4 R, 36;
D8/402; 280/293

See application file for complete search history.

(56) **References Cited**

U.S. PATENT DOCUMENTS

D180,922 S *	9/1957	Zikmund et al.	D12/217
4,502,816 A *	3/1985	Creter et al.	405/30
D282,459 S *	2/1986	Sauber	D12/217
D307,575 S *	5/1990	Gano	D12/217
D316,243 S *	4/1991	Henry	D12/217
D397,986 S *	9/1998	Henry	D12/217
D432,976 S *	10/2000	Chiang	D12/217
D493,408 S *	7/2004	Chrisco et al.	D12/217
D500,979 S *	1/2005	Chrisco et al.	D12/217
D511,734 S *	11/2005	Moore et al.	D12/217

D520,438 S *	5/2006	Colak et al.	D12/217
7,040,461 B2 *	5/2006	Chrisco et al.	188/32
D531,106 S *	10/2006	Davidian	D12/217
D531,568 S *	11/2006	Davidian	D12/217
7,416,166 B1 *	8/2008	Shaw	254/88

* cited by examiner

Primary Examiner—Elizabeth A Albert

Assistant Examiner—Kelley A Donnelly

(74) *Attorney, Agent, or Firm*—Michael W. Caldwell

(57) **CLAIM**

The ornamental design for a large wheel chock, as shown and described.

DESCRIPTION

FIG. 1 is a frontal perspective view of my new design;

FIG. 2 is a top plan view thereof;

FIG. 3 is a frontal view thereof;

FIG. 4 is a rear view thereof;

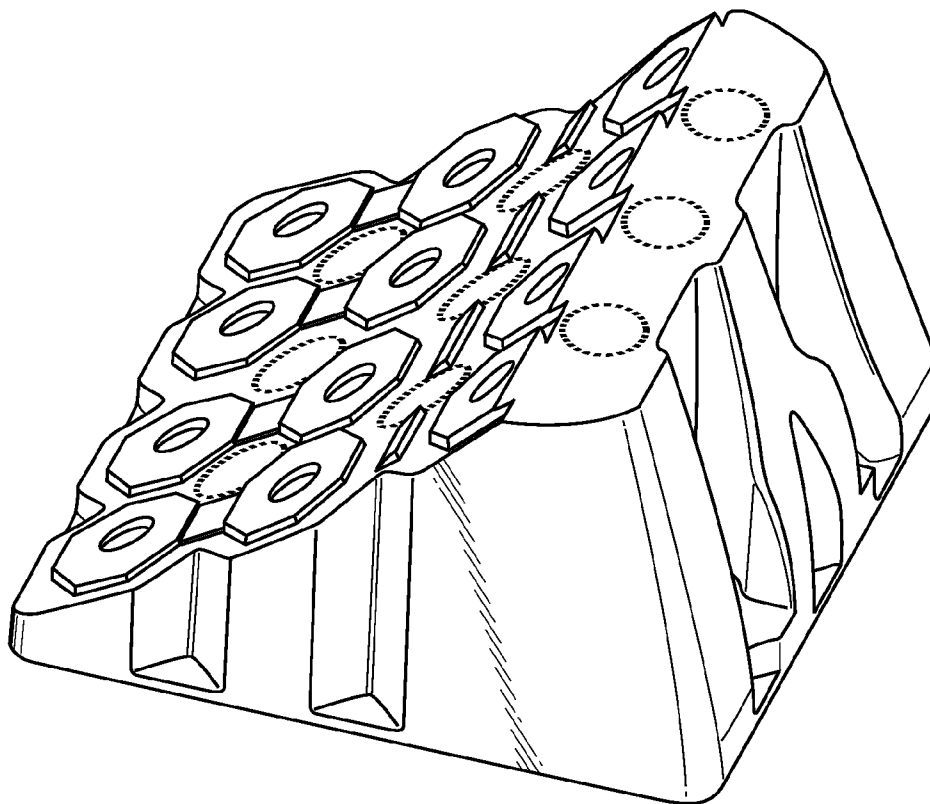
FIG. 5 is a left side view thereof;

FIG. 6 is a right side view thereof; and,

FIG. 7 is a right side view thereof.

The broken lines are for environmental purposes only and form no part of the claimed design.

1 Claim, 5 Drawing Sheets



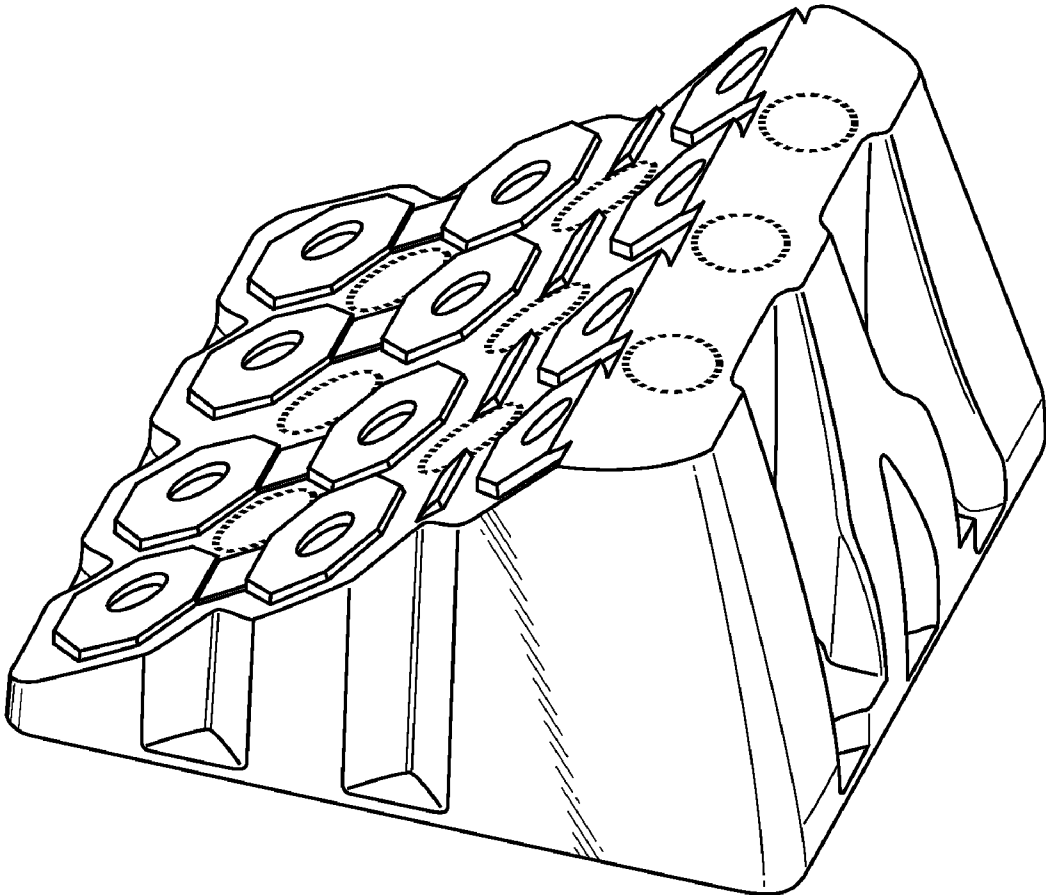


Fig. 1

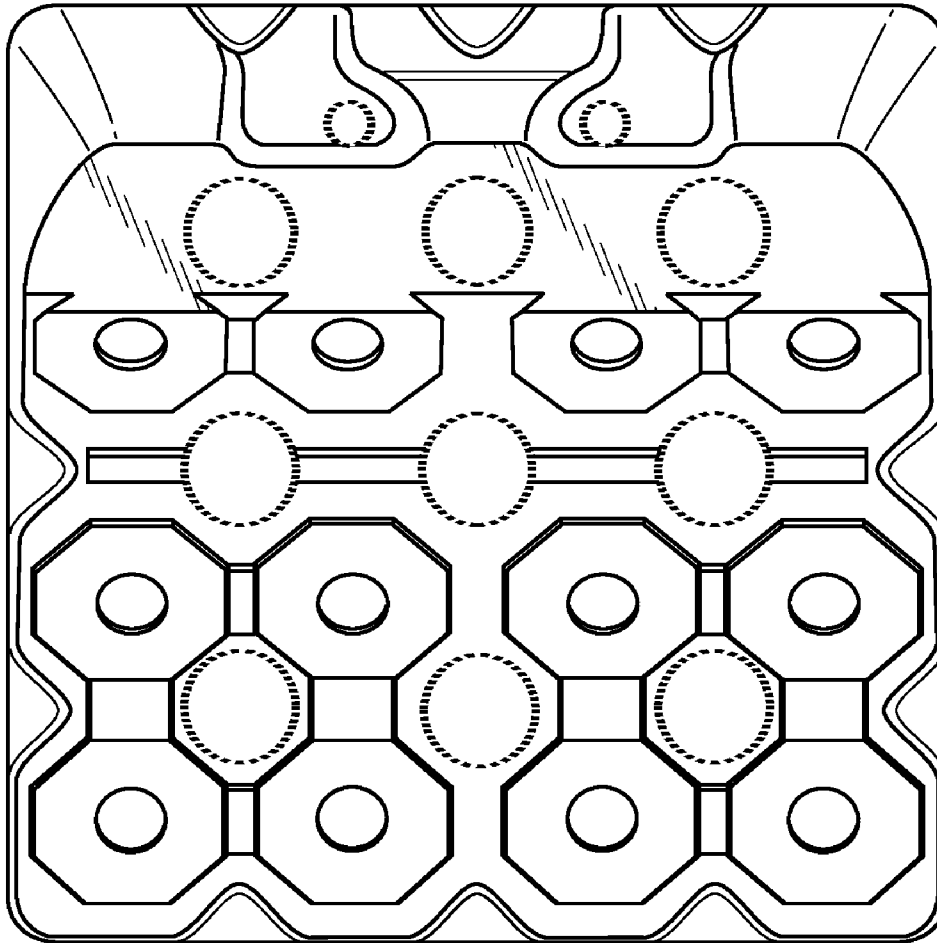


Fig. 2

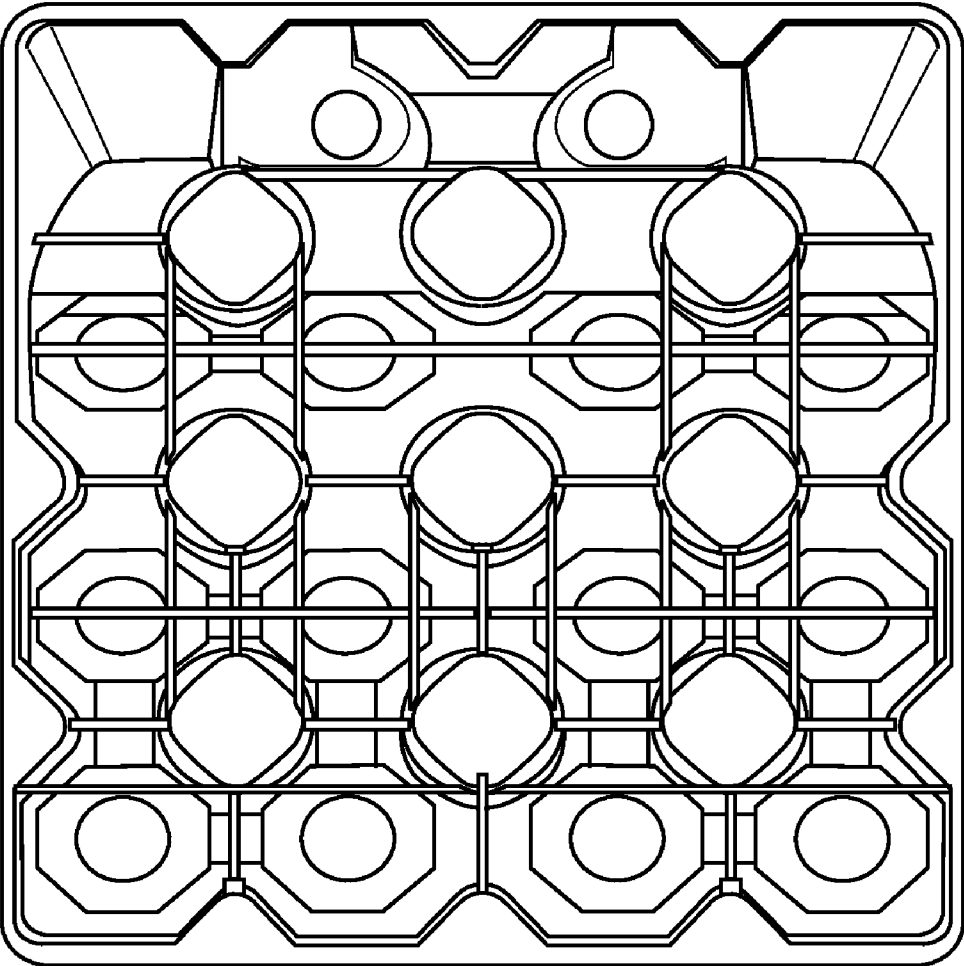


Fig. 3

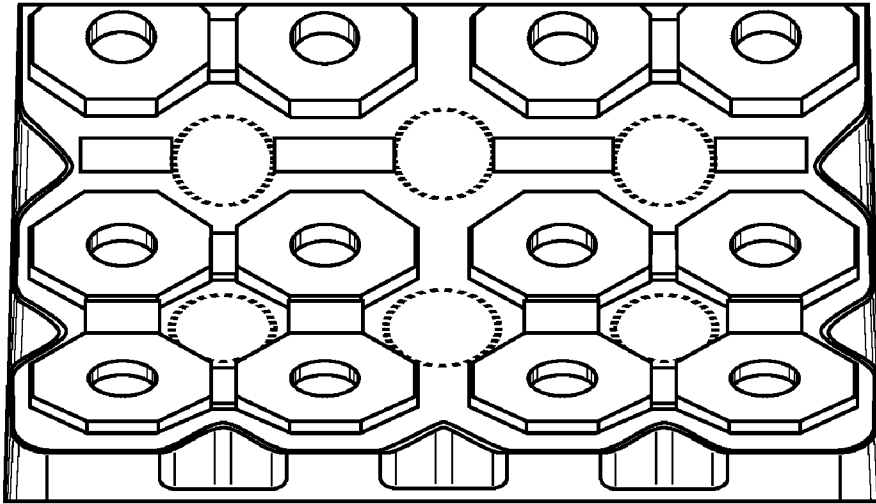


Fig. 4

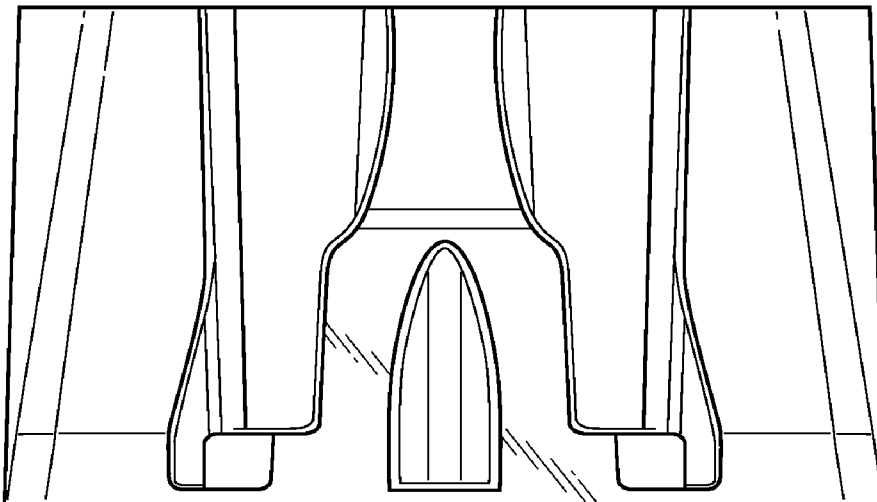


Fig. 5

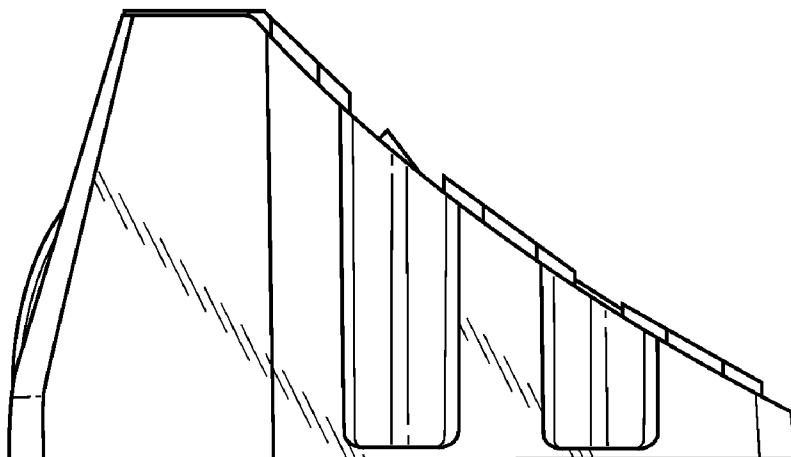


Fig. 6

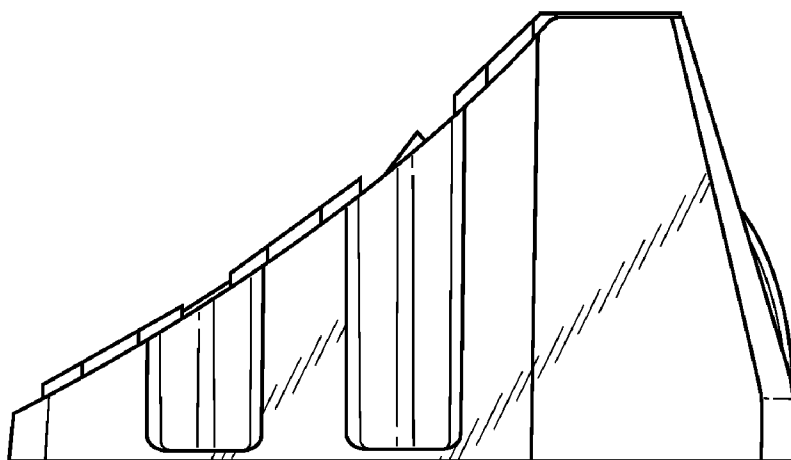


Fig. 7