



US00D577651S

(12) **United States Design Patent**  
**Shaw**

(10) **Patent No.:** **US D577,651 S**

(45) **Date of Patent:** **\*\* Sep. 30, 2008**

(54) **SMALL WHEEL CHOCK**

(76) Inventor: **Anne Shaw**, Box 68, San Gabriel, CA  
(US) 91778-0068

(\*\*) Term: **14 Years**

(21) Appl. No.: **29/306,430**

(22) Filed: **Apr. 9, 2008**

(51) **LOC (8) Cl.** ..... **12-06**

(52) **U.S. Cl.** ..... **D12/217**

(58) **Field of Classification Search** ..... D12/217,  
D12/203, 400, 120; D34/27, 32, 38; D8/402;  
280/293; 267/139-140; 410/30, 49; 211/20;  
188/5, 32, 36; 186/32, 52; 248/346, 352;  
254/88

See application file for complete search history.

(56) **References Cited**

**U.S. PATENT DOCUMENTS**

D236,612 S *	9/1975	Wetzel	.....	D12/217
D307,575 S *	5/1990	Gano	.....	D12/217
D493,408 S *	7/2004	Chrisco et al.	.....	D12/217
D511,734 S *	11/2005	Moore et al.	.....	D12/217
D520,438 S *	5/2006	Colak et al.	.....	D12/217

D524,222 S *	7/2006	Chrisco et al.	.....	D12/217
D531,568 S *	11/2006	Davidian	.....	D12/217
D546,749 S *	7/2007	Bateman	.....	D12/217

\* cited by examiner

*Primary Examiner*—Stacia Cadmus

(74) *Attorney, Agent, or Firm*—Michael W. Caldwell

(57) **CLAIM**

The ornamental design for a small wheel chock, as shown and described.

**DESCRIPTION**

FIG. 1 is a frontal perspective view of my new design;

FIG. 2 is a top plan view thereof;

FIG. 3 is a bottom plan view thereof;

FIG. 4 is a rear view thereof;

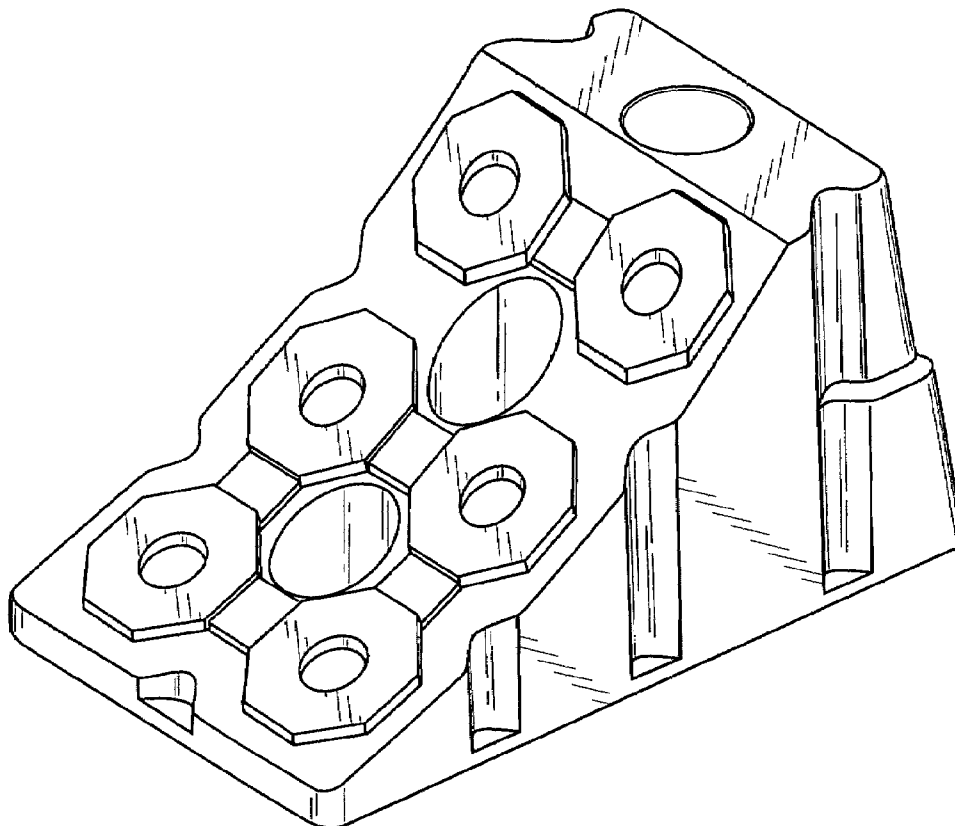
FIG. 5 is a frontal view thereof;

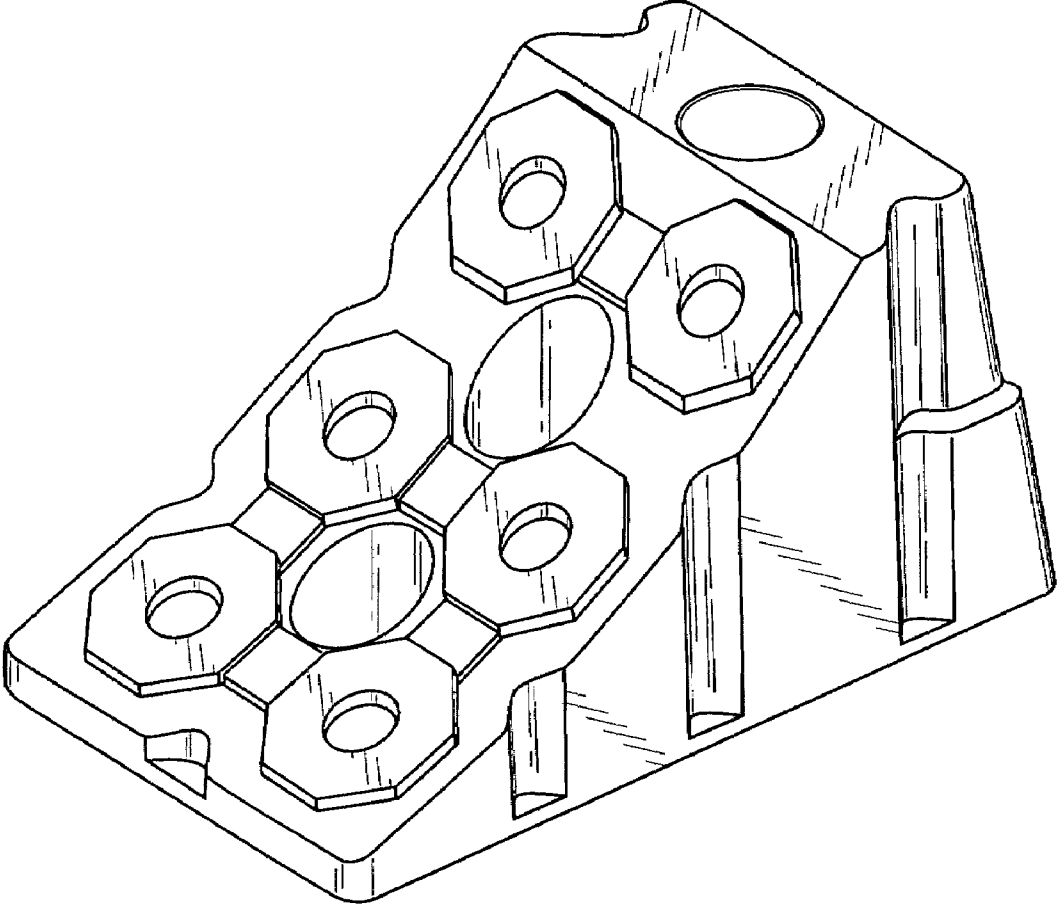
FIG. 6 is a left side view thereof; and,

FIG. 7 is a right side view thereof.

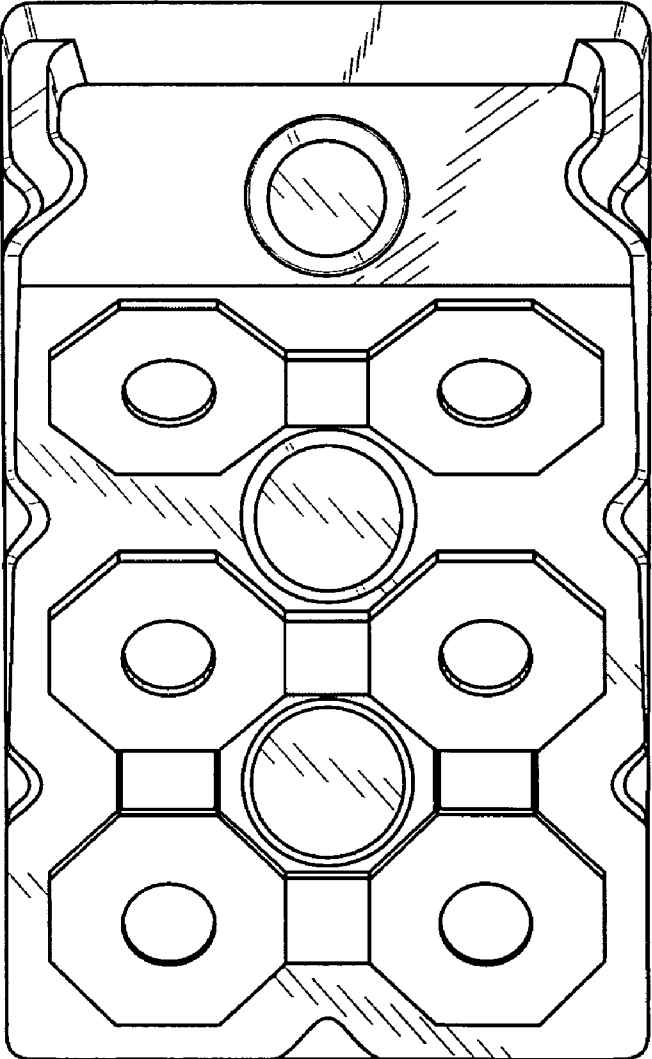
The ornamental design which is claimed is shown in solid lines in the drawings.

**1 Claim, 5 Drawing Sheets**

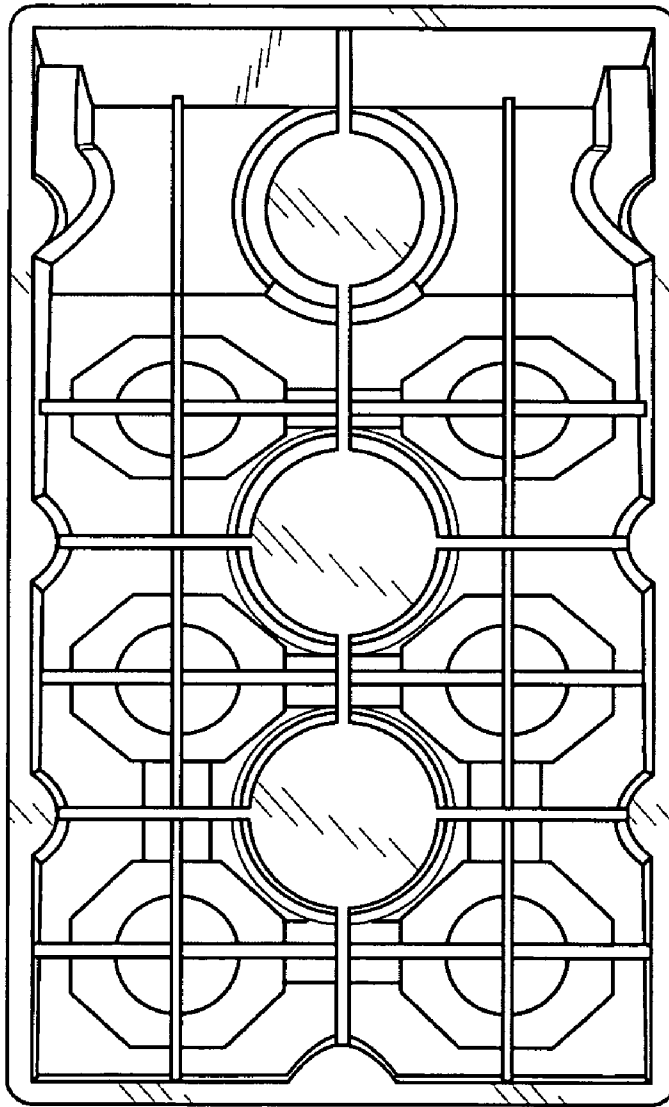




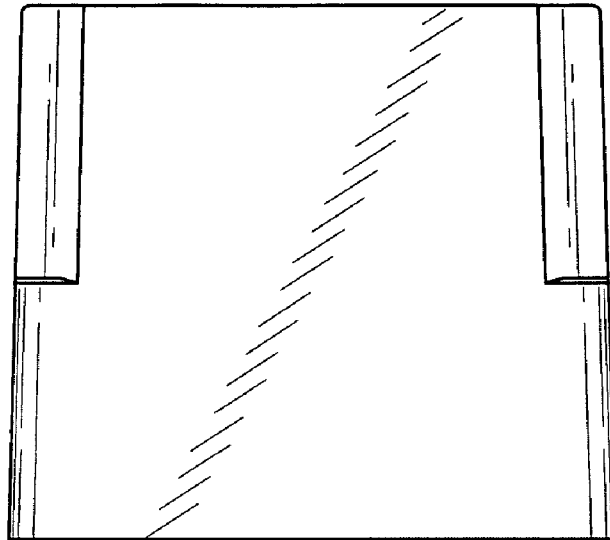
**Fig. 1**



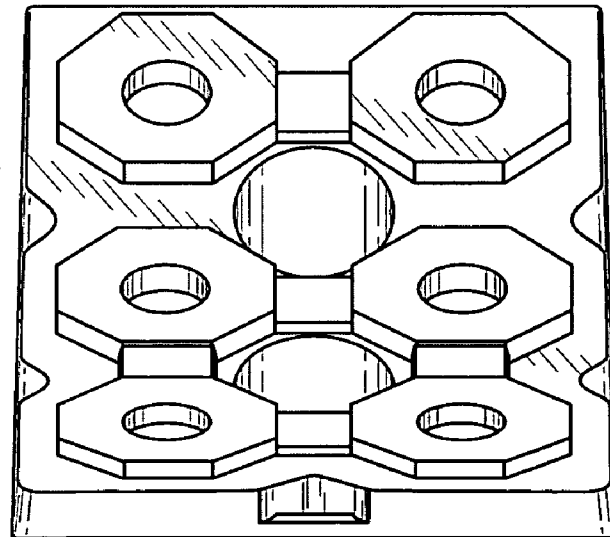
**Fig. 2**



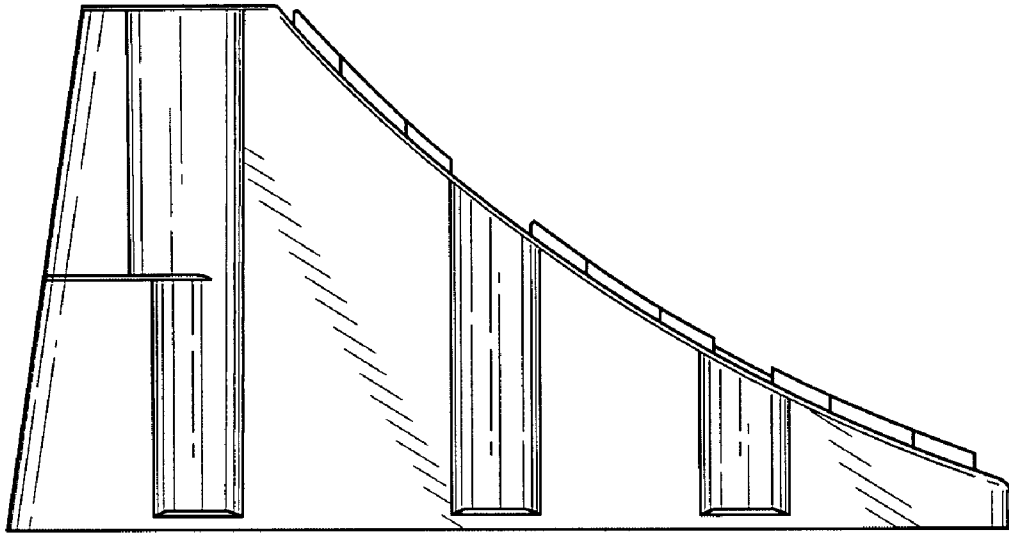
**Fig. 3**



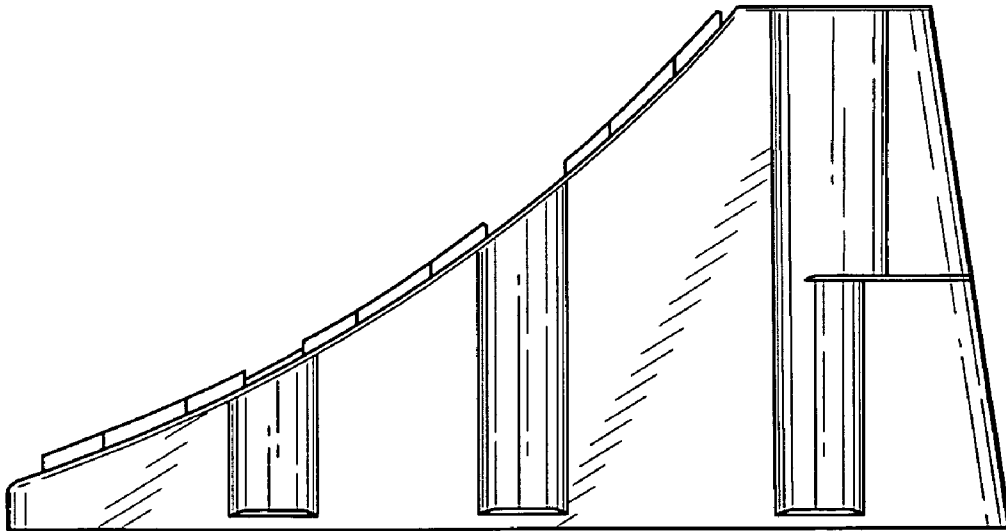
**Fig. 4**



**Fig. 5**



**Fig. 6**



**Fig. 7**