



US00D528451S

(12) **United States Design Patent**
Cunningham et al.

(10) **Patent No.:** **US D528,451 S**

(45) **Date of Patent:** **** Sep. 19, 2006**

(54) **BICYCLE COMPUTER ENCLOSURE**

(75) Inventors: **Glen B. Cunningham**, Newburyport, MA (US); **John R. Hamann**, Dallas, TX (US); **Jo Anne Lala**, Dallas, TX (US)

(73) Assignee: **Velocomp, LLP**, Dallas, TX (US)

(**) Term: **14 Years**

(21) Appl. No.: **29/238,532**

(22) Filed: **Sep. 16, 2005**

(51) **LOC (8) Cl.** **10-04**

(52) **U.S. Cl.** **D10/98; D12/114; D14/346**

(58) **Field of Classification Search** D14/341-346; D10/98; D12/114; D18/1, 2, 7, 11; D21/330; 340/432; 345/168; 361/680-686; 701/1

See application file for complete search history.

(56) **References Cited**

U.S. PATENT DOCUMENTS

D279,565 S	*	7/1985	Forbis et al.	D14/346
D334,897 S	*	4/1993	Katz	D10/98
D419,897 S	*	2/2000	Storck	D10/98
D419,898 S	*	2/2000	Lee et al.	D10/98
D434,087 S	*	11/2000	Goto	D21/330
6,192,300 B1	*	2/2001	Watarai et al.	701/1

6,388,871 B1	*	5/2002	Masui	361/683
D493,457 S	*	7/2004	Hsu	D14/346
D496,659 S	*	9/2004	Chien	D14/346
D498,754 S	*	11/2004	Blyth	D14/341
2003/0095102 A1	*	5/2003	Kraft et al.	345/168
2004/0239489 A1	*	12/2004	Takeda	340/432

* cited by examiner

Primary Examiner—Freda S. Nunn

(74) *Attorney, Agent, or Firm*—Michael W. Caldwell

(57) **CLAIM**

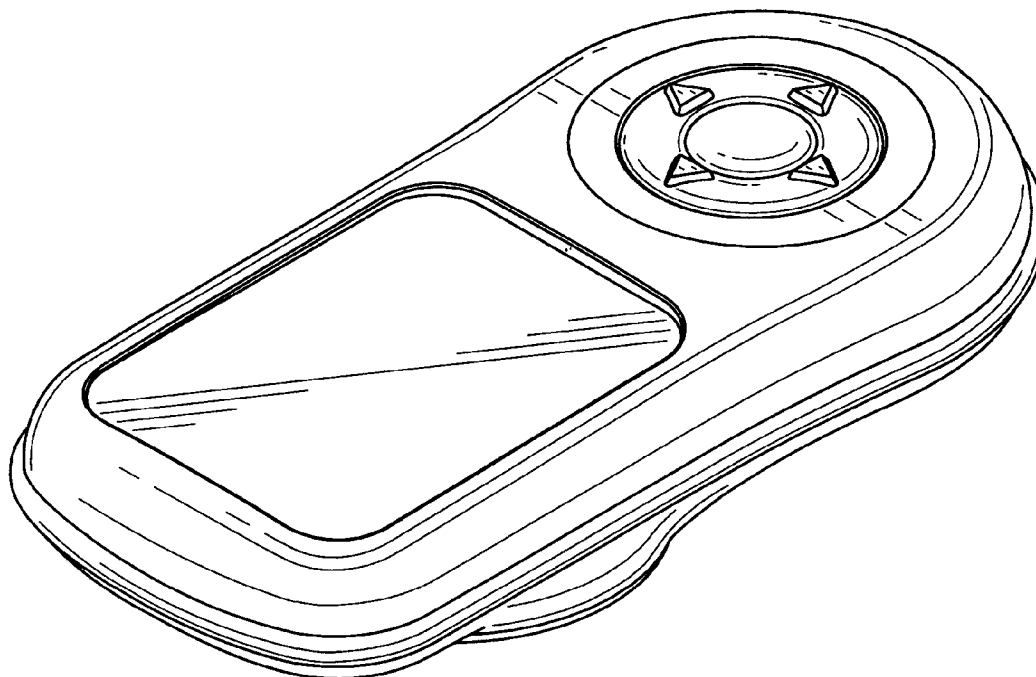
The ornamental design for a bicycle computer enclosure, as shown and described.

DESCRIPTION

FIG. 1 is a frontal perspective view of our new design; FIG. 2 is a top plan view thereof; FIG. 3 is a bottom plan view thereof; FIG. 4 is a left side elevational view thereof; FIG. 5 is a right side elevational view thereof; FIG. 6 is a front elevational view thereof; and, FIG. 7 is a rear elevational view thereof.

The ornamental design which is claimed is shown in solid lines in the drawings. Any broken lines in the drawings are for illustrative purposes only and form no part of the claimed design.

1 Claim, 5 Drawing Sheets



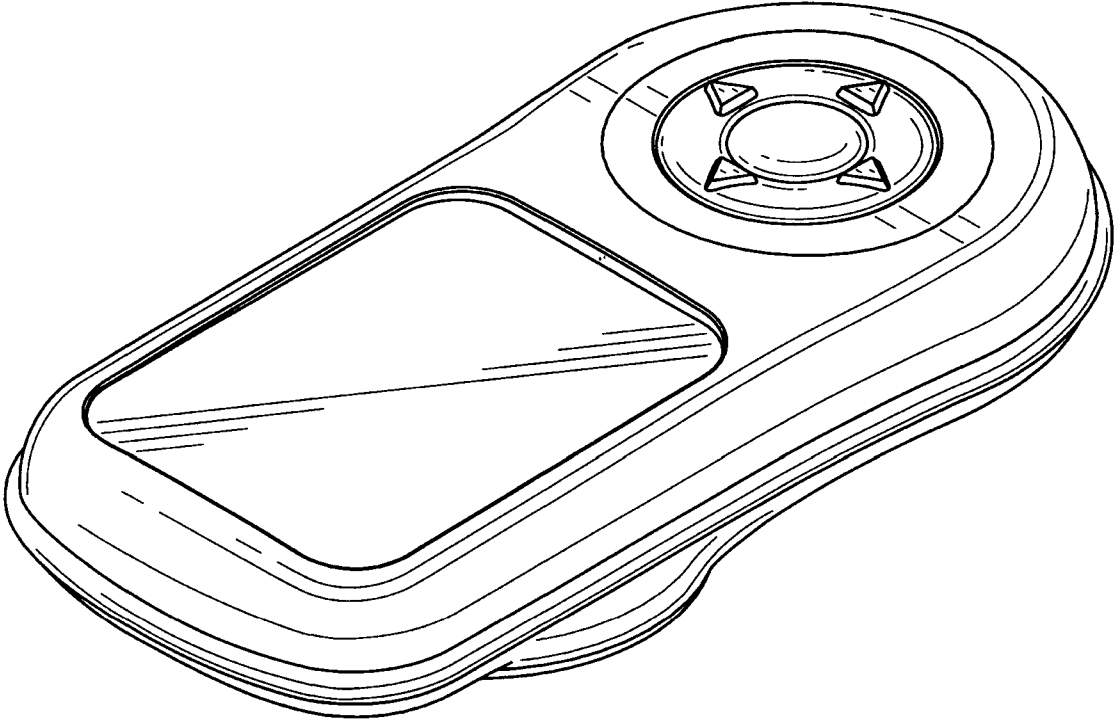


FIG. 1

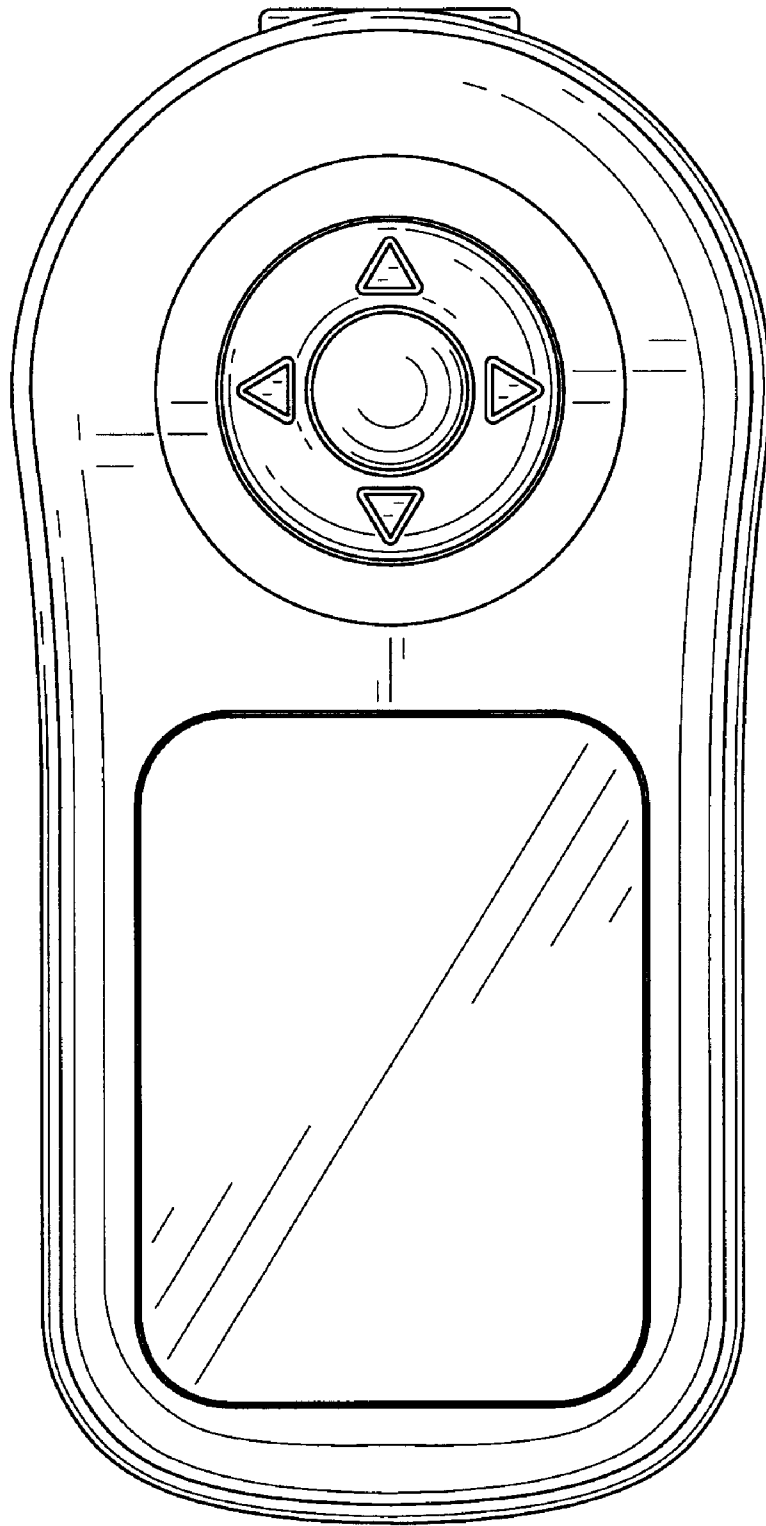


FIG. 2

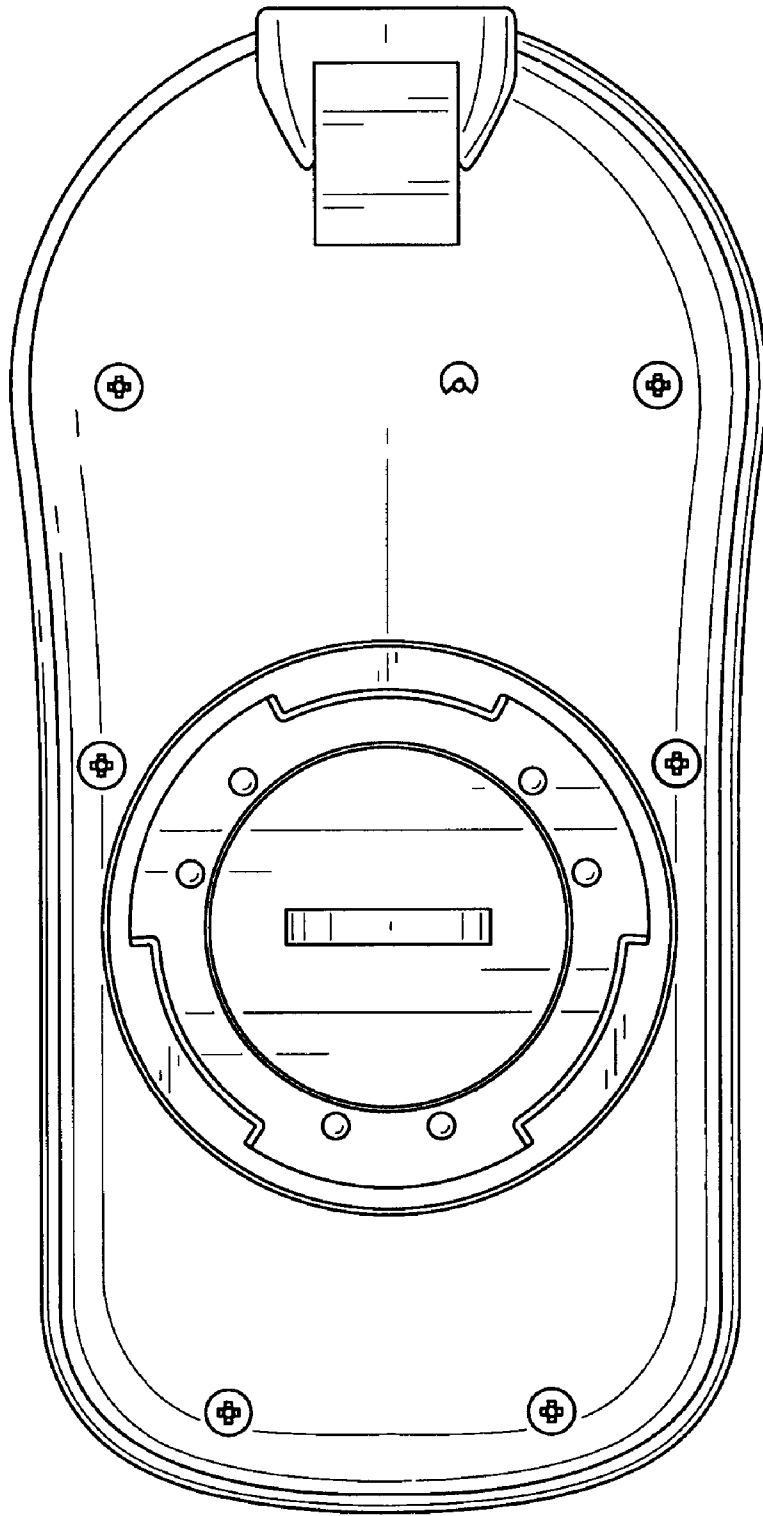


FIG. 3

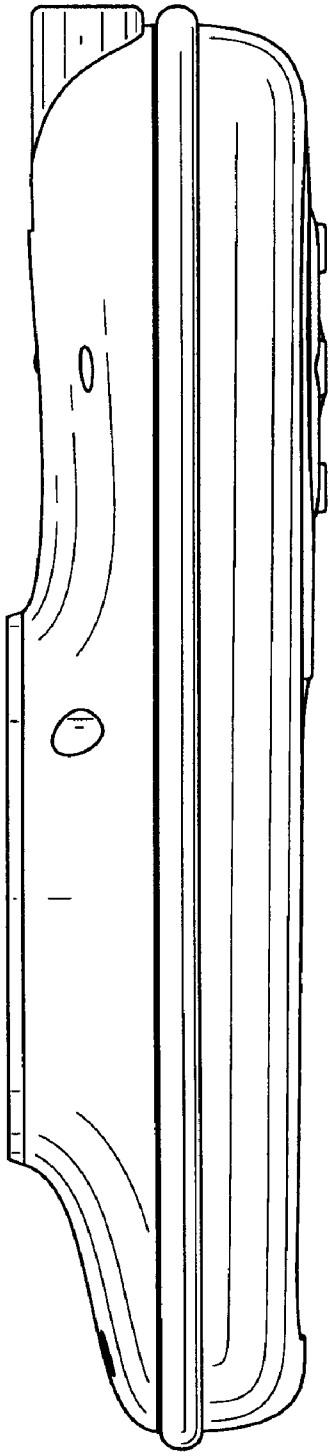


FIG. 4

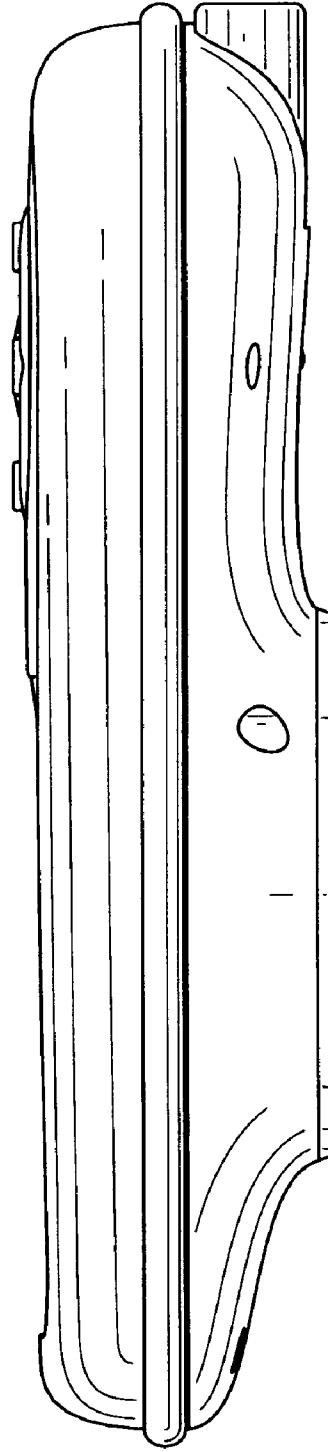


FIG. 5

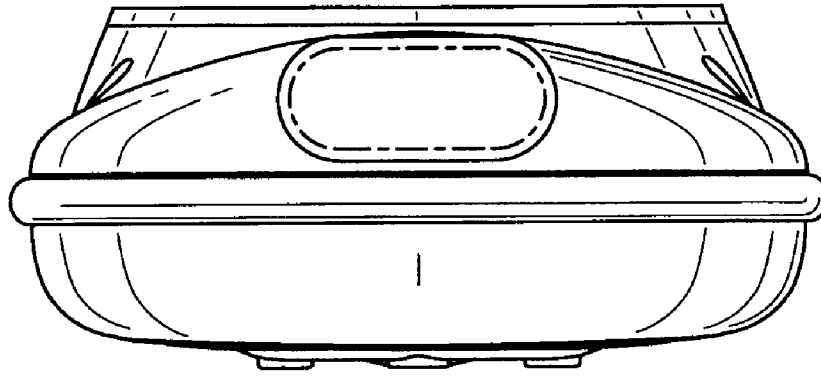


FIG. 6

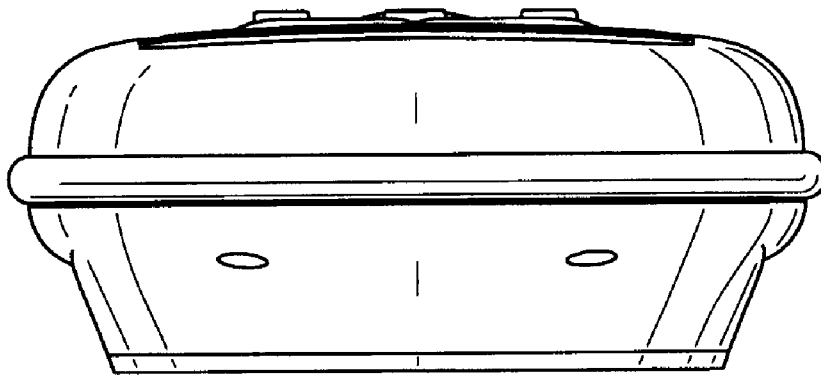


FIG. 7