



US00D502806S

(12) **United States Design Patent**
Staehs

(10) **Patent No.:** **US D502,806 S**

(45) **Date of Patent:** **** Mar. 15, 2005**

(54) **GOLF TEE CASE**

(75) **Inventor:** **James Paul Staehs, San Jose, CA (US)**

(73) **Assignee:** **Top Notch Sports & Leisure Products, San Jose, CA (US)**

(**) **Term:** **14 Years**

(21) **Appl. No.:** **29/197,069**

(22) **Filed:** **Jan. 9, 2004**

(51) **LOC (7) Cl.** **03-01**

(52) **U.S. Cl.** **D3/255; D3/257; D3/282**

(58) **Field of Search** **D3/254, 257, 281, D3/276, 282; D21/789, 796; 206/315.9, 315.1; 473/132, 133, 134, 135, 136, 167**

(56) **References Cited**

U.S. PATENT DOCUMENTS

- 5,294,123 A * 3/1994 Black 473/182
- 5,639,133 A * 6/1997 Mote 294/19.2
- D416,971 S * 11/1999 Yates D21/789

- 6,159,105 A * 12/2000 Henry 473/132
- D439,737 S * 4/2001 Bonny et al. D3/255
- 6,348,008 B1 * 2/2002 Bertoniere, Jr. 473/132

* cited by examiner

Primary Examiner—Philip S. Hyder

(74) *Attorney, Agent, or Firm*—Michael W. Caldwell

(57) **CLAIM**

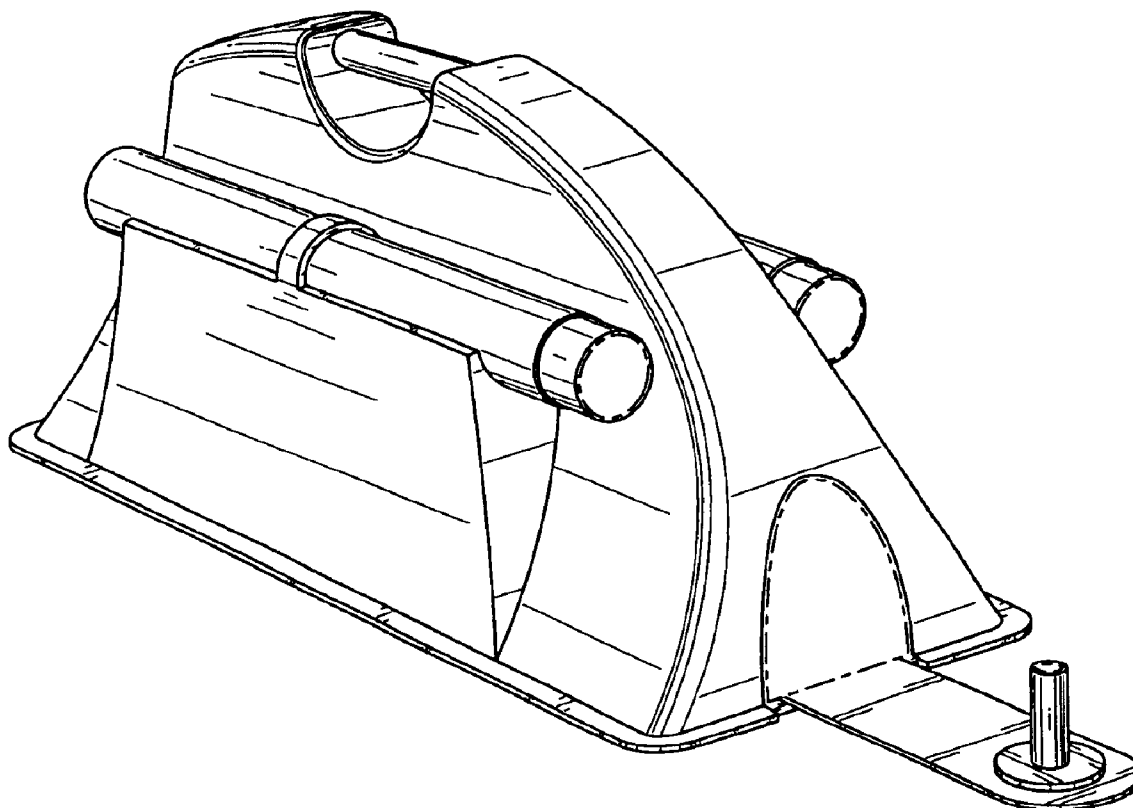
The ornamental design for a golf tee case, as shown and described.

DESCRIPTION

FIG. 1 is a frontal perspective view of my new design; FIG. 2 is a front elevational view thereof; FIG. 3 is a rear elevational view thereof; FIG. 4 is a right side elevational view thereof; and, FIG. 5 is a top plan view thereof.

The ornamental design which is claimed is shown in solid lines in the drawings. Any broken lines in the drawings are for illustrative purposes only and form no part of the claimed design.

1 Claim, 4 Drawing Sheets



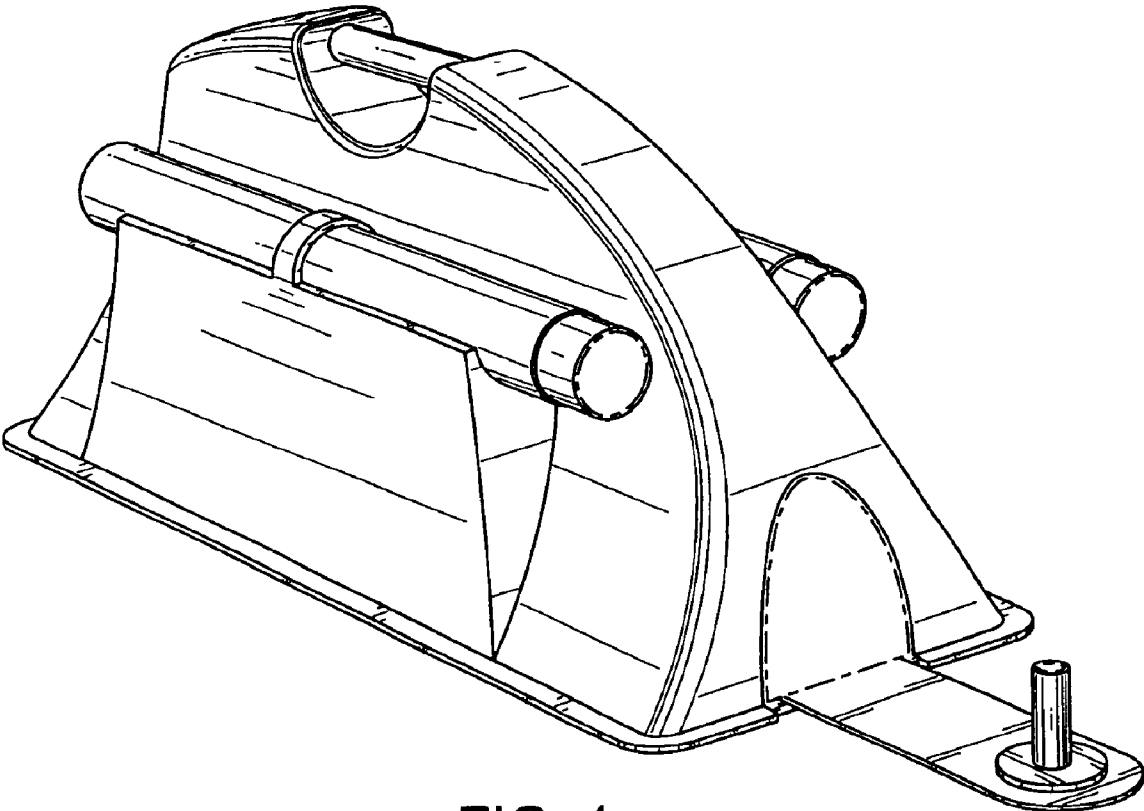


FIG. 1

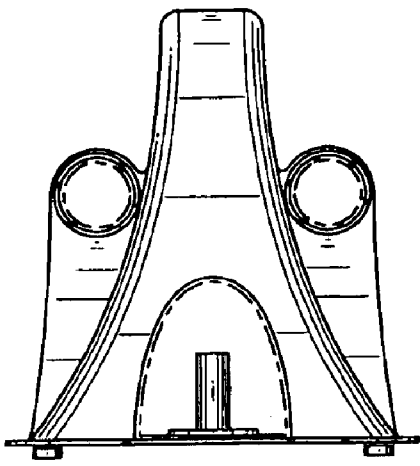


FIG. 2

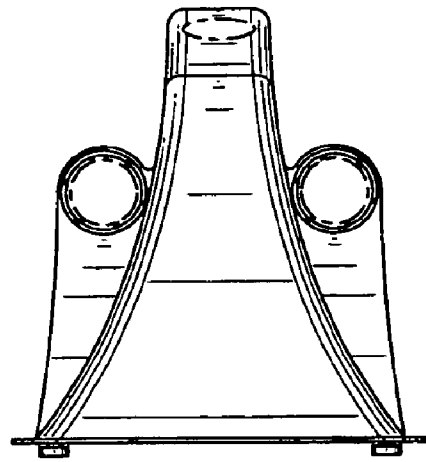


FIG. 3

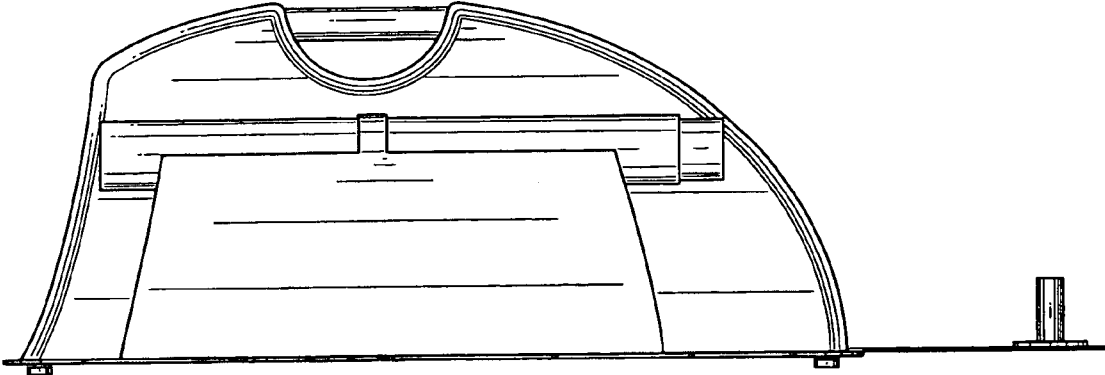


FIG. 4

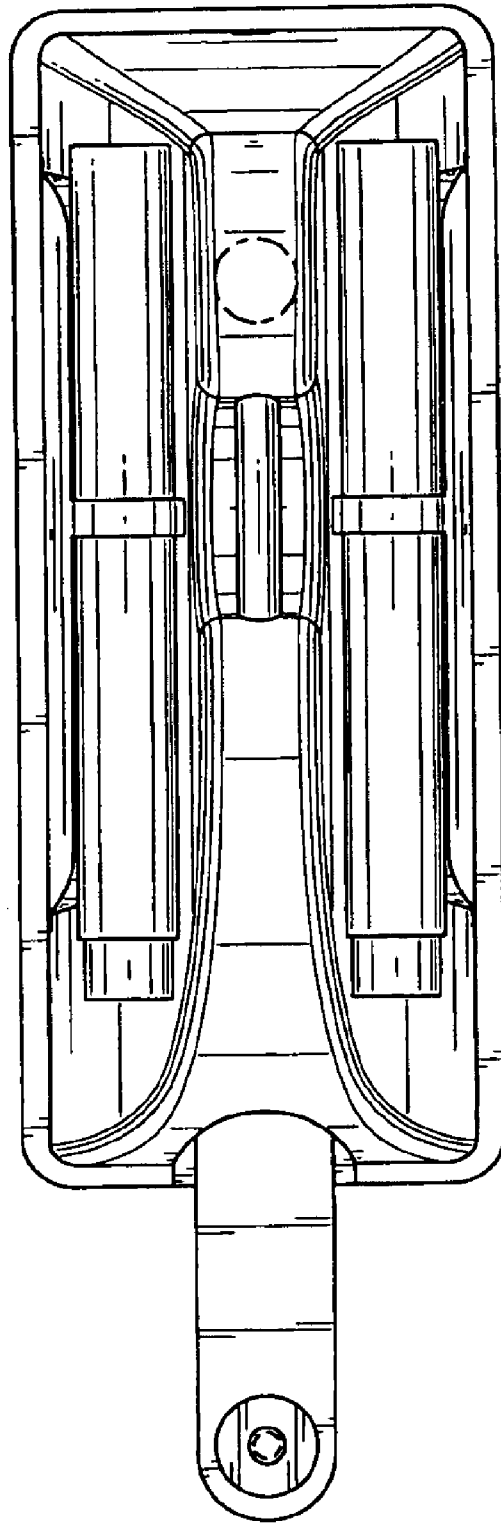


FIG. 5